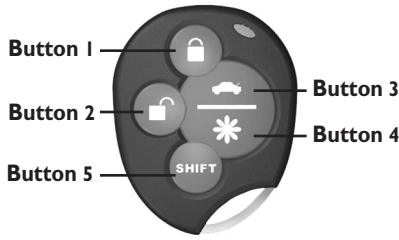


# 6R / 5-BUTTON SERIES VEHICLE SECURITY SYSTEM



## System Operation

### **ARMING OPERATION**

To arm the system press transmitter button 1:

- The siren will chirp once.
- The parking lights will flash once.\*
- The doors will lock.\*
- The LED will turn solid for 10 seconds then start flashing slowly. After 10 seconds the system is armed.

After Arming, if the system detects a bad sensor or an open zone, the siren will chirp and the parking lights will flash 4 times to indicate a zone is open. The system will ignore that input, but keep all other areas protected.

While Armed, the system will trigger if:

- The doors are opened.
- The shock sensor detects an impact.
- An optional sensor is disturbed.
- The hood or trunk is opened.

When triggered by the door or hood/trunk input the siren will sound, the horn will honk, and the parking lights will flash for 45 seconds. If triggered by a sensor, the alarm cycle will last 30 seconds.

If the same input triggers the system 3 times during a single arming cycle, the system will bypass that input, keeping the other zones protected, until the next time the system is armed.

If the shock sensor detects a light impact to the vehicle or an optional sensor is disturbed, the system will chirp and the parking lights will flash 5 times to warn away the potential intruder.

\*Optional Feature

### **Standard Features:**

- Two 5-Button Remote Transmitters
- Status indicator (LED)
- Valet / override switch
- Multi-tone siren
- Dual stage impact sensor
- Remote panic
- Remote chirp mute
- Remote sensor bypass
- Passive or active arming

### **Optional Features:**

- Flashing parking lights
- Starter disable
- Keyless entry
- Remote trunk or hatch release
- Illuminated entry
- Hood and trunk protection
- Remote auto start
- Power window roll up
- Glass break sensor
- Microwave sensor

**Note:** Some features may require additional parts and labor, and may not be appropriate for certain vehicles. Consult your authorized dealer.

**PASSIVE ARMING**

The passive arming feature allows the system to automatically arm after closing all doors. The Passive Arming feature requires the ignition to have been on for at least 10 seconds prior to exiting the vehicle. This enables the key to be turned on then off quickly to avoid passive arming in the event of refueling, washing the vehicle, etc. *The Passive Arming feature may be enabled during installation.*

To arm the system passively:

1. Turn the ignition key off (make sure ignition was on for at least 10 seconds).
  2. Exit the vehicle and close all doors.
    - The LED flashes rapidly indicating that the system is preparing to arm. (The system can be armed at any time by pressing transmitter button 1.)
    - If the optional countdown feature is programmed, the siren will chirp every 2 seconds until armed.
    - The siren will chirp 30 seconds after the last door is closed to indicate the system is armed. NOTE: Opening the hood/trunk or a door resets the passive arming timer.
    - The doors will lock.†\*
- † If Passive Locking was enabled during installation.

**DISARMING OPERATION**

To disarm the system press transmitter button 2.

- The siren will chirp twice.
- The parking lights will flash twice.\*
- The doors will unlock.†\*
- The dome light will turn on for 30 seconds.\*

† If the Passenger Unlock Feature is installed, pressing the unlock button will unlock only the driver's door. Pressing the unlock button again unlocks all doors.

**TAMPER ALERT**

If the alarm was triggered while away from the vehicle, the siren will chirp 3 times and the parking lights will flash 3 times on disarming for tamper indication. After disarming the alarm, enter vehicle and turn ignition on. The LED will flash the zone that was triggered 3 times (see *LED TAMPER ALERT INDICATIONS*).

**AUTO REARM**

The Auto Rearm feature allows the system to automatically re-arm itself and lock the doors\* in the event the system is disarmed and a door is not opened within 30 seconds. This programmable feature may be enabled during installation.

**SILENT ARMING/DISARMING**

Press transmitter button 5 (the Shift Button) then the Arm or Disarm button for one-time silent operation. The system can also be programmed for full-time silent operation during installation.

**IGNITION LOCK\***

The ignition locking feature automatically locks the doors 5 seconds after the ignition key is turned on, and automatically unlocks when the ignition key is turned off. To avoid locking keys in the vehicle, the ignition locking feature will be cancelled if a door is open when the ignition is turned on. *This feature may be disabled during installation.*

\*Optional feature

**REMOTE PANIC**

In the event of an emergency (PANIC) situation, the system's siren can be triggered for 30 seconds to attract attention. To activate the Panic Feature, press transmitter button 1 for 3 seconds:

- The siren will sound.
- The parking lights will flash\*.

Press button 1 to exit panic mode and rearm the system. Press button 2 to exit panic mode and disarm the system. The Panic Feature will not operate when the ignition is on.

### EMERGENCY OVERRIDE

If the transmitter becomes lost or fails to operate, the system can be disarmed by using the emergency override feature.

To override the system:

1. Enter the vehicle.
  - Because the system is armed, the siren will sound.
2. Turn on the ignition key.
3. Press the Valet switch for 3 seconds.
  - The siren will stop sounding.
  - The starter defeat will be bypassed.
  - The system will enter valet mode.

### VALET MODE

When the system is placed into the Valet Mode the security system will be disabled. However, the optional keyless entry and auxiliary features will still function if installed. The valet feature may be accessed using the valet switch or using the remote transmitter.

To enter or exit valet mode using the switch:

1. Be sure the system is disarmed.
2. Turn the ignition key on.
3. Press and hold the valet switch for 3 seconds.
  - The siren will chirp once to enter valet or twice for exit.
  - The LED will turn on solid indicating the system is in valet mode, or turn off indicating valet mode exit.

To enter or exit valet mode using the remote:

1. Be sure the ignition key is off.
2. Press transmitter button 2 then button 1 and hold for 3 seconds..
  - The siren will chirp once to enter valet or twice for exit.
  - The LED will turn on solid indicating the system is in Valet Mode, or turn off indicating Valet Mode exit.

### OPTIONAL TRUNK RELEASE

Press button 3 for approximately 2 seconds to open the trunk.

### OPTIONAL TRUNK DISARM

The trunk disarm feature allows the alarm to disarm automatically whenever transmitter button 3 is used to activate the optional trunk release. This eliminates having to first disarm the alarm before activating the trunk release. *This feature must be programmed during installation.*

### REMOTE SENSOR BYPASS

To arm the system and bypass the shock sensor, press button 1 to arm, then within 2 seconds press button 4. The siren will chirp once and sensors will be ignored until the system is disarmed and rearmed.

### OPTIONAL ANTI-CARJACK FEATURE

The optional anti-carjacking feature provides added security with three operating modes: Active, Passive, and Full-time. *The Anti-Carjacking feature may be enabled during installation.*

*Active.* Press transmitter button 4 with the ignition on to manually activate the anti-carjacking feature. Press button 4 again to deactivate the Active carjack feature.

*Passive.* When selected, the anti-carjacking feature will activate whenever a door is opened while the ignition is on. Press the valet switch 3 times to deactivate the Passive carjack feature.

*Full-time.* When selected, the anti-carjacking feature will automatically activate each time the ignition is turned on. Press the valet switch 3 times to deactivate the Full-time carjack feature.

If the carjack feature is triggered:

- The parking lights will flash two times.
- 90 seconds later the parking lights will flash, the horn will honk, and the siren will sound for 5 minutes.
- The starter kill will turn on and remain on until the carjack feature is deactivated.

**TRANSMITTER FUNCTIONS**

- Button 1 Arm; press 3 seconds for panic
- Button 2 Disarm; press twice for optional Passenger Unlock feature
- Button 3 Auxiliary function 1
- Button 4 Auxiliary function 2

**Transmitter Functions with Shift Key (Button 5) pressed 1 time:**

- Button 1 Silent Arm
- Button 2 Silent Disarm
- Button 3 Auxiliary function 3
- Button 4 Car Locator feature (flashes parking lights, chirps siren, and honks horn 5 times)

**Transmitter Functions with Shift Key (Button 5) pressed 2 times:**

- Button 1 Arm car 2; press 3 seconds for panic
- Button 2 Disarm car 2; press twice for optional Passenger Unlock feature
- Button 3 Auxiliary function 1 for car 2
- Button 4 Auxiliary function 2 for car 2

**Transmitter Functions with Shift Key (Button 5) pressed 3 times:**

- Button 1 Silent Arm car 2
- Button 2 Silent Disarm car 2
- Button 3 Auxiliary function 3 for car 2
- Button 4 Car Locator feature for car 2

STATUS INDICATOR (LED) FUNCTIONS	LED TAMPER ALERT INDICATIONS	PARKING LIGHT INDICATIONS
On Solid = Valet Mode Slow Flash = System Armed Rapid Flash when disarmed = Passive Arming Rapid Flash when armed = Tamper Alert On Solid when not in valet = Open Zone	(after turning on ignition) 1 Flash = optional sensor 2 Flashes = shock sensor 4 Flashes = door 5 Flashes = hood or trunk Example: flash-flash-pause-flash-flash-pause = shock sensor	1 Flash = System Armed 2 Flashes = System Disarmed 3 Flashes = Tamper Alert 4 Flashes = Open Zone Indication (after arming) 5 Flashes = Warn Away On Solid = System Disarmed (optional programming for 30 second output on disarm)

# INSTALLATION INSTRUCTIONS

## Before you begin the installation

- Read the INSTRUCTIONS!
- Always use a multi-meter when verifying vehicle wiring.
- Before mounting the product, verify with the customer the desired location for the valet switch and LED.
- Protect the vehicle by using fender covers.
- Always look before drilling. Make sure you will not cause damage to vehicle hoses, electrical looms or physical damage to vehicle.
- Set the Polarity Jumpers inside the main unit. (see Jumper Settings)

## Mounting System Module

Mount the system module under the dash where it will be difficult for a potential thief to locate the module, and away from moving parts such as brake pedals, etc. Route the antenna wire away from wire looms, computer modules and metallic objects for better range.

## Mounting Siren

Mount the siren in a suitable place under the hood, away from hot and moving engine parts such as manifolds, fan belts, etc. Make sure the siren cannot be accessed from underneath the vehicle or through the grill. Face the siren down so that water cannot accumulate inside the siren bell. Protect wires running through the firewall using either tape or split loom tubing. If a new hole is needed, protect the wire from chaffing by installing a proper size grommet.

## Mounting Shock Sensor

Secure the shock sensor to the steering column, thick wire harness or a dash brace, using a wire tie. Make sure that the adjustment screw is accessible for later testing and adjustment.

## 16-Pin Main Harness:

- BROWN WIRE - Siren wire output (+) 3A. Connect to the siren's red wire. Connect the siren's black wire to ground.
- BLACK WIRE - Ground input (-). Connect to a solid chassis ground that is clean and free of paint or dirt.
- ORANGE WIRE - Armed Output (-) 500mA. Connect to a relay for optional circuit defeat (See installation diagrams). The ORANGE wire provides a ground when the unit is armed to activate a fuel pump disable relay or other device (i.e. window control module, etc.).
- EMPTY - not used.
- YELLOW WIRE - +12V Ignition input. Connect to a main ignition wire at the ignition switch harness. This wire shows +12V when the ignition is on and while cranking. The voltage must not drop when the car is starting.
- BROWN/WHITE WIRE - Horn output (-) 500mA. Connect to an optional relay to honk the vehicle's horn when the alarm is triggered.
- BLACK/YELLOW WIRE - Auxiliary 3 output (-) 500mA. Connect to a relay for an optional feature such as headlight activation, etc. This output may be programmed for momentary, timed, or latched operation.

- **GRAY WIRE** - Auxiliary 1 output (+/-) 15A relay. Connect to an optional feature such as trunk release, etc.

- **WHITE WIRE** - Parking Light output (+/-) 10A relay. Connect to the vehicle's parking light wire. If the vehicle's parking light circuit exceeds 10 amps a relay is required. For vehicle's with independent left and right parking light circuits, the parking light wires must be connected using diodes to keep the circuits separate.

NOTE: Do not connect the WHITE wire to the vehicle's headlight circuit.

- **RED WIRE** - +12V Battery input. Connect the red fused wire on the main harness to a constant +12V source. This source wire should be at least 20 amp supply.

- **BLACK/WHITE WIRE** - Dome Light output (+/-) 15A relay. Connect to the wire that activates the vehicle's dome light, usually the door pin switch wire. NOTE: The dome light output is usually connected to the same wire used for the door trigger input (See GREEN and VIOLET door trigger wires).

- **BLUE/WHITE WIRE** - Passenger Unlock output (-) 500mA. Connect to an optional relay to unlock the passenger doors when configured for Driver Priority Unlocking.

- **WHITE/RED WIRE** - Auxiliary 2 output (-) 500mA. Connect to a relay or module for an optional feature such as power window roll-up, etc. This output may be programmed for momentary, timed, or latched operation.

- **VIOLET WIRE** - Positive door trigger (+). Connect to the door switch circuit wire that shows +12V when the door is open. This type of door circuit is usually found on Ford vehicles.

- **GREEN WIRE** - Negative door trigger (-). Connect to the door switch circuit wire that shows ground when the door is open.

- **BLUE WIRE** - Trunk/Hood trigger (-). Connect the Blue wire to the trunk and/or optional hood pin switches. The switch must provide a ground output when opened.

#### **6-Pin Door Lock Connector**

Plug-in connector for door lock harness.

- **WHITE WIRE** - Lock relay N/C (87a).
- **GREEN WIRE** - Lock relay Common (30).
- **BLUE WIRE** - Unlock relay Common (30).
- **BROWN WIRE** - Unlock relay N/C (87a).
- **VIOLET/BLACK WIRE** - Lock relay N/O (87).
- **VIOLET WIRE** - Unlock relay N/O (87).

#### **Starter Defeat Connectors**

Using a volt/ohm meter locate the starter wire (normally a heavier gauge wire) at the ignition switch. This wire will show +12V only during cranking. When this wire is cut the vehicle will be unable to start.

Cut the BROWN starter disable wire (with the two female connectors), and connect one side to the vehicle's starter wire coming from the key switch. Connect the other BROWN wire to the wire going to the starter.

Plug the female connectors on the BROWN wires to the .250 male spade lugs on the module. With the BROWN wires connected to the module, the vehicle should be able to start.

#### **Plug in Connectors**

**2-Pin Red Connector:** Plug-in connector port for LED. Mount LED in an area where it may be easily seen from either side of the vehicle.

**2-Pin Blue Connector:** Plug-in connector port for valet switch. Mount switch in an area that is easily accessible from the driver's seat.

**4-Pin White Connector A:** Plug-in connector port for dual stage shock sensor.

**4-Pin White Connector B:** Plug-in connector port for optional dual stage radar sensor.

### Adding Transmitters

To add a new transmitter to the system have the desired transmitters ready and follow the Code Learning sequence.

To enter Code Learning Mode:

1. Turn the ignition on, off, on, off and leave on.
  - The siren will chirp once.
2. Press and hold the Valet switch for 5 seconds.
  - The siren will chirp 3 times.
3. Press the Lock Button on the transmitter.
  - The siren will chirp once.
4. Press Lock Button on the transmitter again.
  - The siren will chirp twice.
5. Repeat steps 3 and 4 for each additional transmitter (up to 4 total).
6. Turn off the ignition.
  - The siren will chirp 3 times.

### Two Car Operation

With the supplied 5-button transmitter it is possible to control a second vehicle using the same primary transmitter. For Car 2 enter the Code Learning Mode as described above then substitute the steps below for 3 and 4 above.

3. Press Button 5 twice followed by the Lock Button.
  - The siren will chirp once.
4. Press Button 5 twice followed by the Lock Button again.
  - The siren will chirp twice.

### Entering Programming

To enter System Programming:

1. Turn on ignition.
2. Within 5 seconds, press valet switch 5 times.
  - The siren will emit a long chirp, to indicate entering program mode.
3. Press the valet switch the number times equal to the desired feature.
  - The siren will chirp each time the valet switch is pressed. A long chirp is equal to 5 presses. (Example: step 7 = 1 long chirp and 2 short chirps.)
4. Within 5 seconds, press the transmitter button corresponding to the desired operating mode for that feature.
  - The siren will chirp to indicate the setting.
    - One chirp = Button 1
    - Two chirps = Button 2
    - Three chirps = Button 3
    - Four chirps = Button 4
5. Repeat steps 3 and 4 to change additional features.
6. Turn off ignition to save changes.

### Complete Default Reset

This procedure will set all Programmable Features to factory default settings.

1. Enter System Programming.
2. Press Transmitter Button 3.
  - The siren will chirp 6 times indicating the reset signal was received.
  - All Installer and User Programming options are now set to factory default settings.
3. Turn ignition off.

### Programmable Features

1. **Arming Mode.** Select between manual arming (Active), automatic arming (Passive), and automatic arming with chirps that countdown every 2 seconds until armed.
2. **Parking Light Operation.** Selects whether the parking lights flash twice or remain on for 30 seconds after disarming the system.
3. **Auto Rearm.** Automatically rearms the system in case of accidental disarming. The system must be armed for at least 10 seconds before disarming, and the hood/trunk must not be opened or auto rearm is bypassed. If button 3 is selected, the doors will lock on auto rearm.
4. **Arming Chirps.** Select Normal or Silent Arming.
5. **Trunk Disarm Feature.** When selected, activating the Auxiliary function to open the trunk will automatically disarm the system.
6. **Ignition Locking.** Automatically locks and unlocks the doors with the ignition. The system will not lock the doors if any door is open when the ignition is turned on.
7. **Ignition Unlocking.** Automatically unlocks all doors or only driver's door with ignition.
8. **Door Lock/Unlock Pulse.** Selects between a 1 second lock/1 second unlock for standard vehicles, 3 second lock/3 second unlock for vacuum lock systems, 1 second lock/1 second unlock 2 times for some Japanese vehicles, and 30 second lock/1 second unlock to roll up windows with lock on some German vehicles.
9. **Passive Locking.** Selects whether or not the doors will lock with Passive Arming.
10. **Open Door Report.** Siren will chirp 4 times if a door remains open 10 seconds after arming. If vehicle has delayed dome light, program for 60 seconds (the sensor and trunk still report after 10 seconds).
11. **Siren / Horn Chirps.** When set for Horn Chirps the horn will honk when the alarm is armed, disarmed, and triggered, allowing the siren to NOT be installed. Button 3 adds horn chirps with the warn away feature as well.
12. **Auxiliary 1.** Selectable for Momentary, Timed, or Latched operation.  
Momentary operation - the output is active as long as the transmitter button is held.  
Timed operation - the output turns on for 30 seconds each time the transmitter button is pressed. If the button is pressed again during the 30 seconds, the output turns off.  
Latched operation - the output turns on when the transmitter button is pressed and turns off when the transmitter button is pressed again.
13. **Auxiliary 2.** Selectable for Momentary, Timed, or Latched operation.
14. **Auxiliary 3.** Selectable for Momentary, Timed, Latched operation or Ignition Latched operation (turns on with ignition and remains on until a door is opened).
15. **Auxiliary 2 Auto Activate.** When selected, the Auxiliary 2 output can activate upon system arming or upon system disarming to turn on accessory items or turn on sensors, etc.
16. **Door Entry Delay with Passive Arming.** When selected, the door input trigger will be delayed for 15 seconds, allowing access to the emergency override switch. Only delays when the system is armed passively.
17. **Horn Honk Output.** Selects between pulsed or constant output for the Brown/white wire.
18. **Anti-Carjack Mode.** Selects one of three Anti-Carjacking modes: Active, Passive, or Full-Time. Anti-Carjack Activation must be enabled for any Anti-Carjack mode to operate.



**Programmable Features**

<b>Step</b>	<b>Function</b>	<b>Button 1 (default)</b>	<b>Button 2</b>	<b>Button 3</b>	<b>Button 4</b>
1.	Arming Mode	Active	Passive	Passive w/count	
2.	Parking Light Output	Flash twice	30 seconds		
3.	Auto Rearm	Off	Auto rearm	Auto rearm w/lock	
4.	Arming Chirps	Normal	Silent		
5.	Trunk Disarm	Off	On		
6.	Ignition Locking	On	Off		
7.	Ignition Unlocking	All doors	Driver only	Off	
8.	Door Unlock Pulse	1sec L/1sec UL	3sec L/3sec UL	1 secL/1 ec UL x2	30sec L/1sec UL
9.	Passive Locking	Off	On		
10.	Open Door Report	10 seconds	60 seconds		
11.	Siren / Horn Chirps	Siren only	Horn chirps	Horn chirps w/warn	
12.	Auxiliary 1 Output	Momentary	Timed	Latched	
13.	Auxiliary 2 Output	Momentary	Timed	Latched	
14.	Auxiliary 3 Output	Momentary	Timed	Latched	Ignition latched
15.	Auto Activate Aux 2	Off	On Arming	On Disarming	
16.	Entry Delay w/Passive	Off	On		
17.	Horn Honk Output	Flashing	Continuous		
18.	Car Jack Mode	Off	Active	Passive	Full-time

*Active.* Pressing transmitter button 4 with the ignition on will manually activate the Anti-Carjacking feature.

*Passive.* When selected, the Anti-Carjacking feature will activate whenever a door is opened while the ignition is on.

*Full-time.* When selected, the Anti-Carjacking feature will automatically activate each time the ignition is turned on.

**Adjusting Sensors**

The sensor test mode allows quick and easy sensor tuning.

To adjust the sensor(s):

1. Turn on the ignition.
2. Press Transmitter Button 5 then button 4.
3. Test the sensors.
  - The siren chirps indicate the zone.
  - Short chirp = warn (shock/optional)

Long chirp = Shock Trigger  
2 long chirps = Optional Trigger

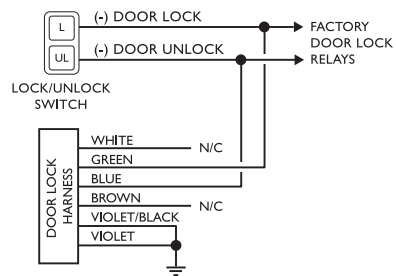
4. Turn off the ignition.

**Testing System**

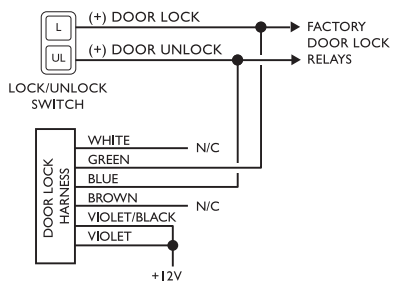
Arm and disarm system, checking that the siren chirps and parking lights are functioning normally. Make sure that the programmed features are performing correctly, ie.: ignition locks, passive arming, passive locks, etc. Test the doors and hood/trunk inputs (make sure all doors trigger the system, not just the drivers door). Arm the system and try starting the vehicle, it should not start. Disarm the system using the emergency override. Check the range of the remote transmitters. Make sure the customer has physical knowledge of the location of the valet/override switch.

### DOOR LOCK WIRING DIAGRAMS

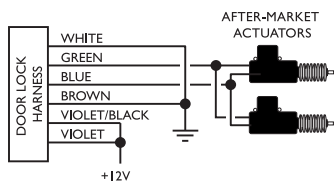
#### NEGATIVE PULSE LOCK SYSTEM



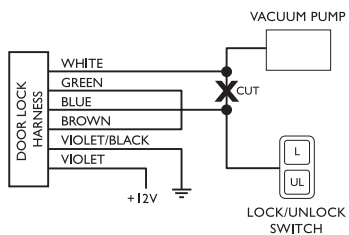
#### POSITIVE PULSE LOCK SYSTEM



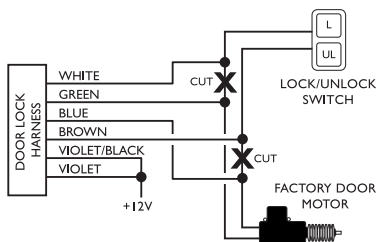
#### ADDING ACTUATORS



#### VACUUM LOCK SYSTEM

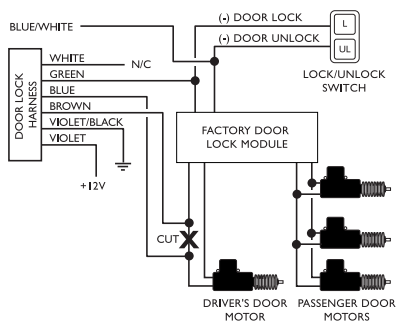


#### REVERSE POLARITY LOCK SYSTEM

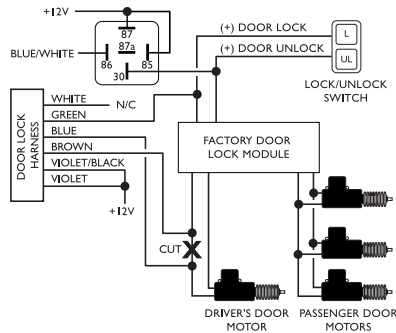


### OPTIONAL TWO-STEP UNLOCK WIRING DIAGRAMS

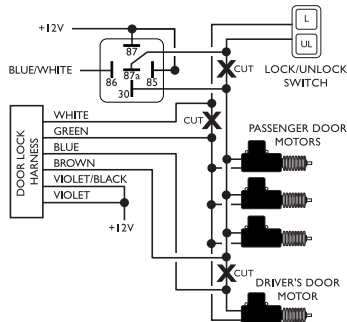
**TWO-STEP NEGATIVE PULSE**



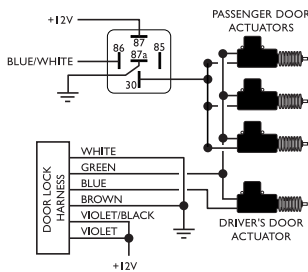
**TWO-STEP POSITIVE PULSE**



**TWO-STEP REVERSE POLARITY**

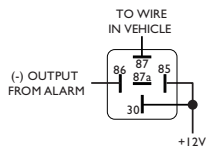


**TWO-STEP ADDING ACTUATORS**

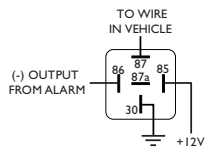


### OPTIONAL RELAY WIRING DIAGRAMS

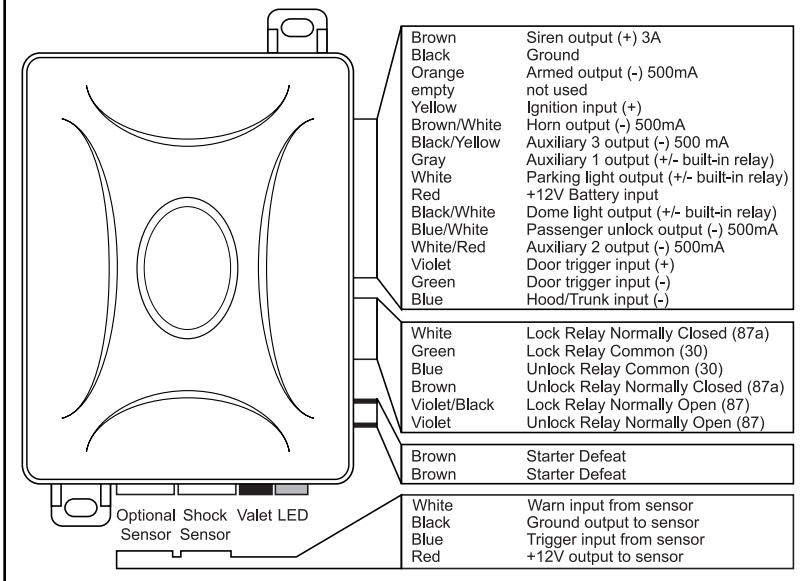
**POSITIVE TRIGGER**



**NEGATIVE TRIGGER**



### WIRING DIAGRAM



### JUMPER SETTINGS

The polarity for the built-in parking light, dome light, and auxiliary relay is set by the placement of the jumper on the 3 pins next to each relay. The default settings are illustrated below.

